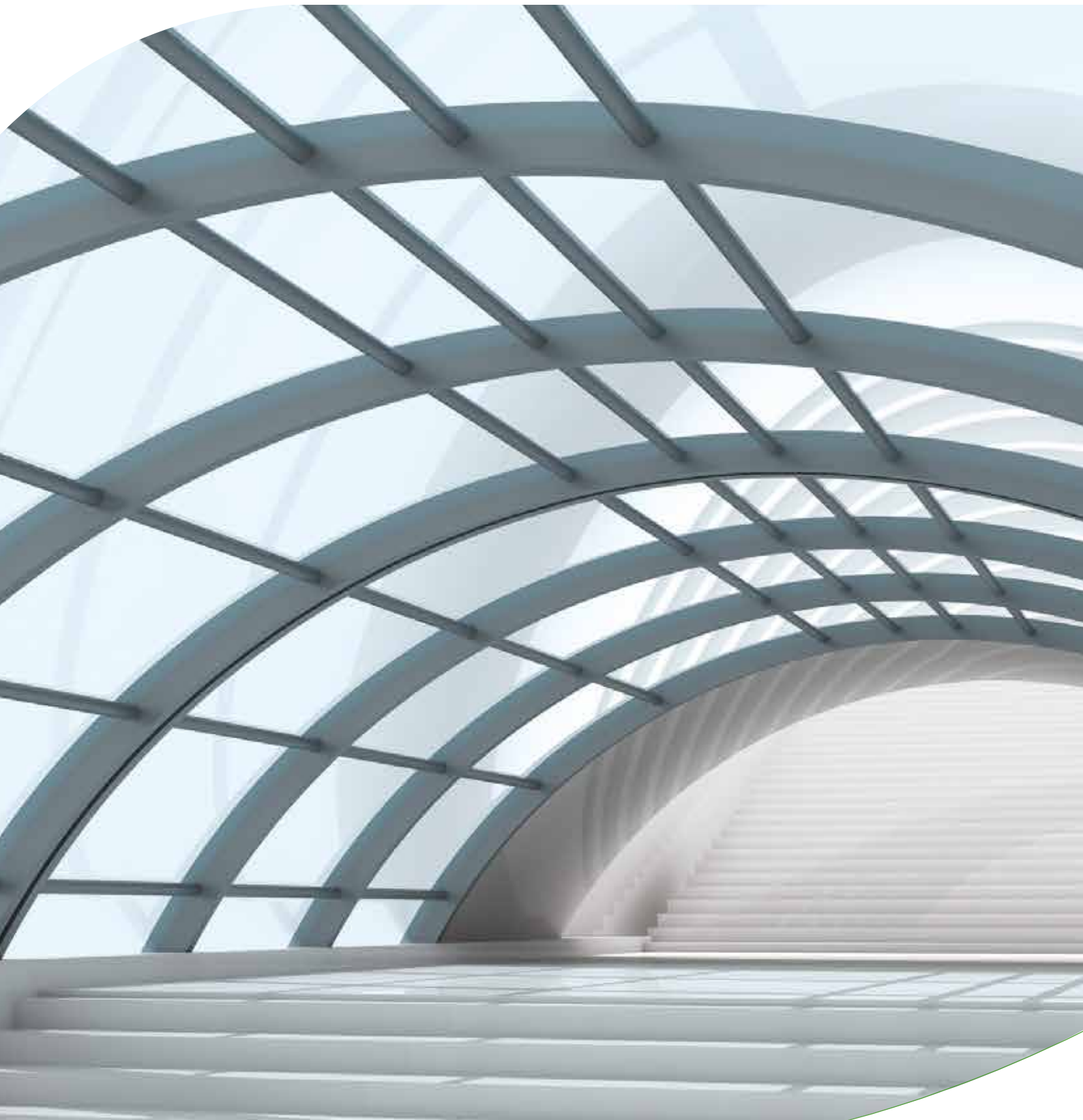
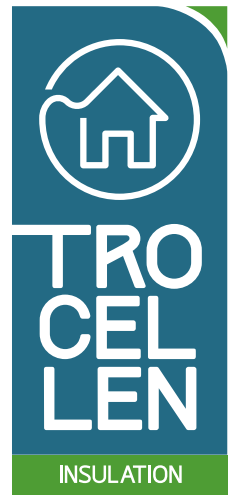


OTHER USES

Multifunctional technical foam

Construction



Other Uses

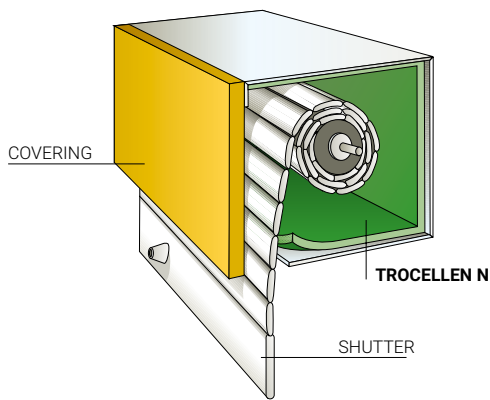
TROCELLEN

Physically and chemically cross linked polyolefin polymer based multifunctional technical foam – the ideal solution for many common heat and sound insulation problems.

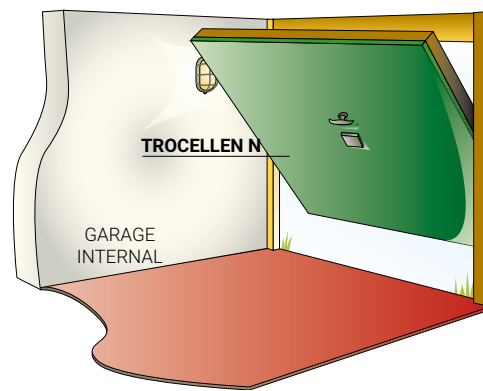
TROCELLEN N

- For insulating shutter systems
- For insulating garage doors
- For protecting bitumen seals in walls below ground level
- Uncoupling tape for plasterboard walls (**TROCELLEN VN** also usable)
- Seals for insulated metal panels (**TROCELLEN VN** also usable)
- Expansion joint filler for highways and walkways (**TROCELLEN VN** also usable)

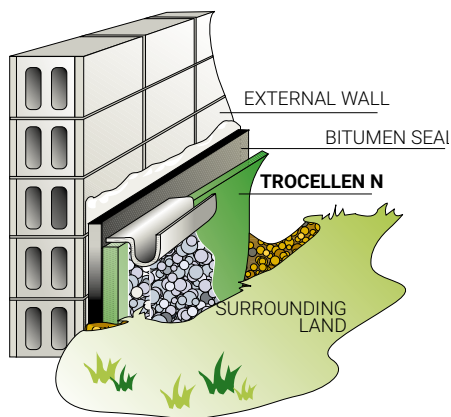
SHUTTER SYSTEMS INSULATION



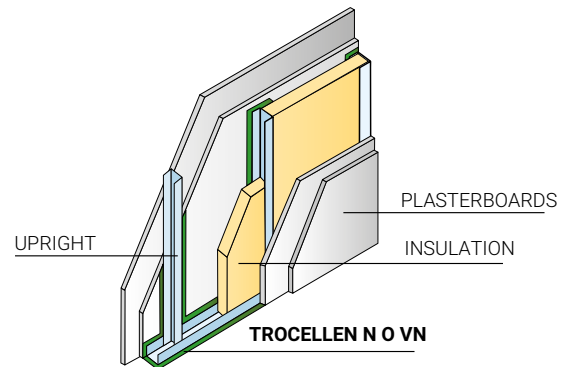
GARAGE DOORS INSULATION



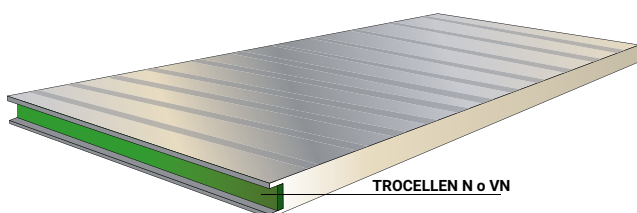
INSULATION FOR BITUMEN SEALS FOR WALLS BELOW GROUND LEVEL



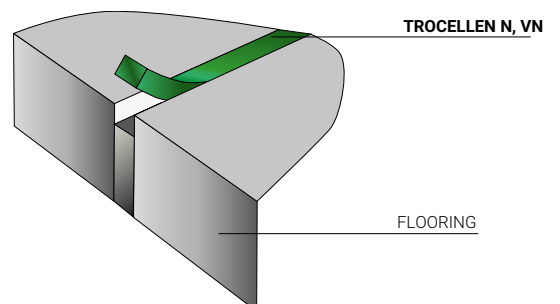
UNCOUPLING TAPE FOR PLASTERBOARD WALLS



SEALS FOR INSULATED METAL PANELS



EXPANSION JOINT FILLER FOR HIGHWAYS AND WALKWAYS

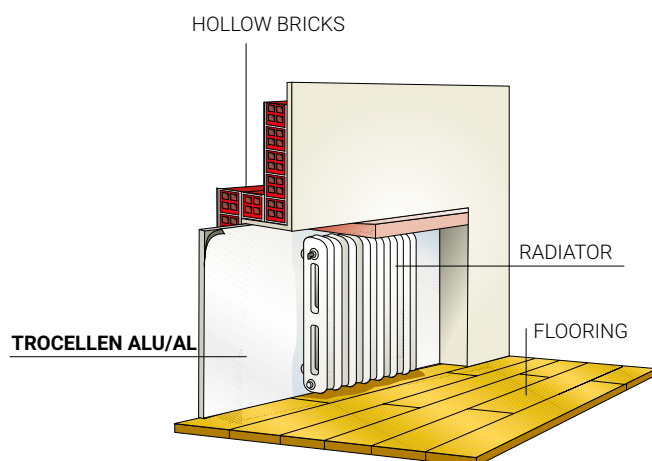


TROCELLEN N

| USES | DENSITY KG/M ³ | THICKNESS MM |
|---|---------------------------|--------------|
| Shutter systems insulation | 30 | 3-5-10 |
| Garage doors insulation | 30 | 5-10-20 |
| Insulation for bitumen seals for walls below ground level | >60 | 3-5 |
| Uncoupling tape for plasterboard walls | 30 | 3 |
| Seals for insulated metal panels | 30 | 3-5-10 |
| Expansion joint filler for highways and walkways | 30 | 10 |



TROCELLEN AL/ALU FOR INSULATING WALL-MOUNTED RADIATORS (HEAT MIRROR)



TECHNICAL DATA

| TECHNICAL CHARACTERISTICS | NORM | UNIT | TROCELLEN N | TROCELLEN AL | TROCELLEN ALU | TROCELLEN VN |
|---|--------------------------|-------------------|---|---|---|---------------------------------|
| Description | | | Chemically cross-linked polyethylene foam | Chemically cross-linked PE foam bonded with embossed, scratch resistant metallic film (25 µm) | Chemically cross-linked PE foam bonded with embossed, scratch resistant metallic film (25 µm) | Physically cross-linked PE foam |
| Density | EN ISO 845 | kg/m ³ | 30 | 30 | 30 | 30 |
| Thickness | EN ISO 1923 | mm | 3 - 5 - 10 | 3 - 5 - 10 | 3 - 5 - 10 | 3 - 5 - 10 |
| Colour | Spec. BASE | - | anthracite | anthracite | anthracite | anthracite |
| Reaction to fire | UNI 8457 / UNI 9174 | - | NA | NA | CL0-2 | NA |
| Compression stress strength at 10% | EN ISO 3386/1 | kPa | 19 | 19 | 19 | 13 |
| Water vapour diffusion factor (µ-value) | EN 12086 EN ISO 12572 | - | ≥ 2000 | ≥ 15000 | ≥ 65000 | ≥ 2000 |
| Water absorption after 28 days | ISO 2896 | Vol. % | <3 | <3 | <3 | <2 |
| Dimensional stability (< 5%) | ISO 2796 | °C | 100 | 100 | 100 | 95 |
| Thermal conductivity coefficient at 10 °C (λ-value) | EN 12667 | W/mK kcal/mh°C | 0,0359 0,0309 | 0,0359 0,0309 | 0,0359 0,0309 | 0,0344 0,0296 |

INTERNATIONAL LOCATIONS

Lead Plant

TROCELLEN Italia S.p.A.

Sales office
Via Dante, 3
20867 Caponago (MB), Italy
Ph. +39 02 959 621
Fax +39 02 959 62 235

Polifoam Plastic Processing Co. Ltd

Táblás u. 32
1097 Budapest, Hungary
Ph. +36 1 347 98 00
Fax +36 1 280 67 08

TROCELLEN GmbH

Mülheimer Straße 26
53840 Troisdorf, Germany
Ph. +49 2241 2549000
Fax +49 2241 2549099

TROCELLEN S.E.A. Sdn Bhd

Lot 2213, Kg. Batu 9 Kebun Baru, Jalan Kasawari
42500 Telok Panglima Garang Selangor Darul Ehsan, Malaysia
Ph. +60 3 3122 1213
Fax +60 3 3122 1211

TROCELLEN Ibérica S.A.

C/Avila, s/n
28804 Alcalá de Henares, Spain
Ph. +34 91 885 55 00
Fax +34 91 885 55 01

TROCELLEN France

Bureau de vente
2 rue de Commères,
Immeuble les Peupliers
F-78310 Coignères, France
Ph. +33 (0) 130 85 93 40

insulation@trocellen.com

TROCELLEN*

Trocellen is a multinational company owned by Furukawa Electric Co. Ltd, internationally renowned for the design and manufacture of cross-linked polyolefin foam.

Through its different Business Units, the company is able to meet the specific needs of the market with a wide range of products and solutions.

It manufactures both semi-finished and finished products. The Trocellen products stand out for their manufacturing processes and the many industrial sectors in which they can be used: Insulation, automotive, footwear, sport and leisure, adhesive tapes and packaging. Trocellen makes safety a lifestyle and turns safety into a lifestyle.

Insulation Business Unit

The Insulation Business Unit mainly specialises in Sound and Thermal insulation for the building industry. The goal is to create comfortable environments for people or rather to "help people live better!".

*Trocellen is the member of Furukawa Group.



FOLLOW US
ON TWITTER



CONTACT US
ON LINKEDIN



www.trocellen.com

Download Trocellen App
from the Official Website

